

INTAKE VALVE RB - RBC SERIES

www.vmcitaly.com
www.vmc-usa.com



MAIN FEATURES:

Assembled on the inlet port of an air-end housing, the intake valves of the RB & RBC series are Normally Closed. They include a butterfly operated by a servo-cylinder controlling the air flow-rate and accordingly, the working pressure, a check valve preventing backflow of oil at a compressor shutdown and a blow-down valve setting up the discharge time upon request.

A wide range of versions of RB & RBC intake valves is available: **E** (ON-OFF working system for stationary machines), **PM** (totally pneumatic working system for portable machines), **P** (hybrid working system for stationary and portable machines), **NR** (only with a check valve).

They are available at different voltages, if requested, as well as with connection flanges and certifications.

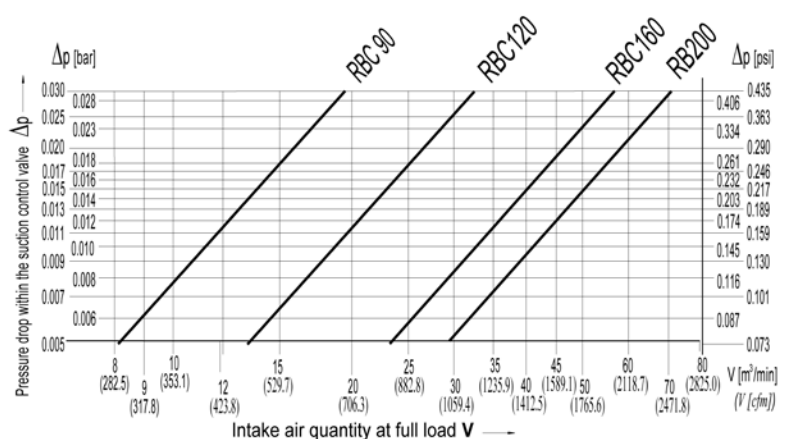
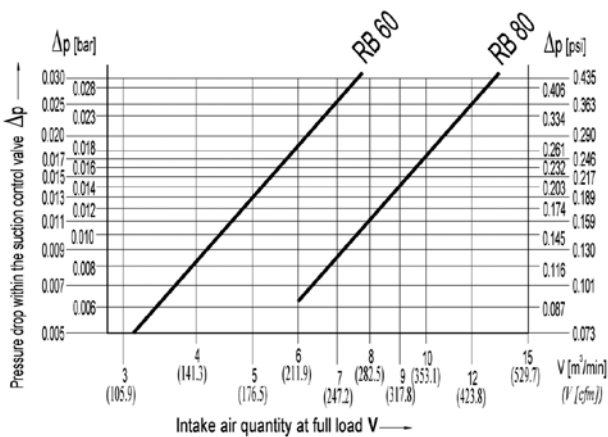
These valves have to be connected pneumatically to the separator tank and electrically (in case of E & P version) to the pressure switch.

The RB & RBC Series are also available for Natural Gas and Water Lubricated applications.

MAINTENANCE:

The wear-and-tear of valve components depends on compressor applications and operating parameters. Valve inspection and ordinary maintenance are recommended using VMC's original spare parts kits whose instructions are indicated in the maintenance and trouble-shooting document.

TECHNICAL DATA		RB60	RB80	RBC90	RBC120	RBC160	RB200
Air flow rate	m ³ /min - cfm	See diagram					
Inlet size	mm - inch	Ø60 - Ø2,36	Ø80 - Ø3,15	Ø90 - Ø3,54	Ø120 - Ø4,72	Ø160 - Ø5,5	2xØ140 - 2xØ5,5
Working pressure		up to 16 bar - up to 232 Psi					
Solenoid valve voltage		24V or 110V or 230V					
Materials		Housing in Aluminium alloy. Internal parts in Aluminium alloy anodized, Viton sealings, and Brass.					
Weight	Kg - lb	2,2 - 4,85	3 - 6,6	5,8 - 12,78	9,8 - 21,6	13,3 - 29,32	25,3 - 55,77



INTAKE VALVE RB - RBC SERIES

www.vmcitaly.com
www.vmc-usa.com

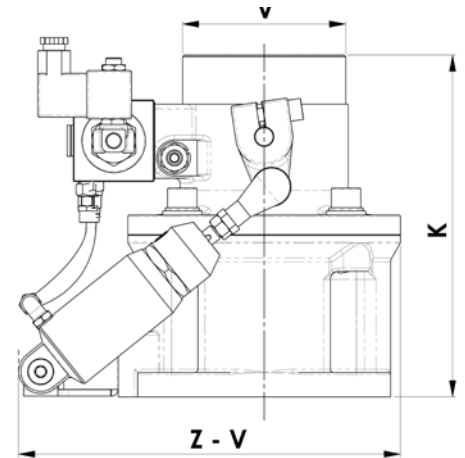
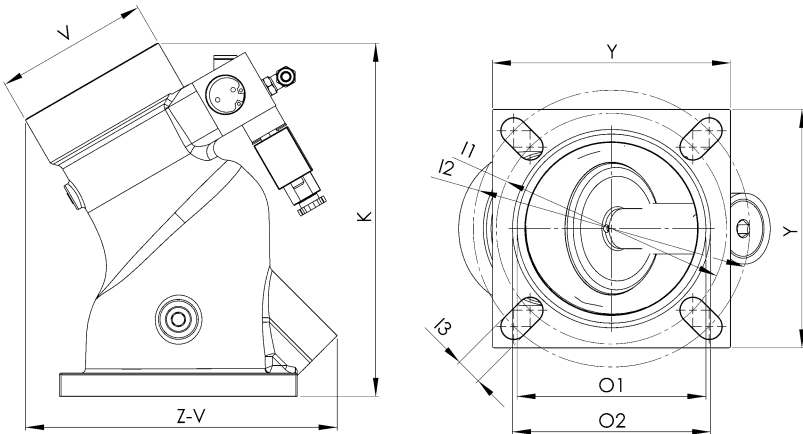


DIMENSION		RB60R	RB60T	RB60GT _r	RB80	RBC90	RBC120		RBC160	RB200
Bolt holes	Nr.	4	4	4	4	4	8		12	12
Y	mm-inch	125 - 4,92	135 - 5,3	135 - 5,3	155 - 6,1	155 - 6,1	Ø255 - Ø10,04		Ø330	Ø460 - Ø18,1
Z-V	mm-inch	177 - 6,96	177 - 6,96	177 - 6,96	203 - 8	225 - 8,85	318 - 12,51		350	500 - 19,68
K	mm-inch	197 - 7,75	197 - 7,75	197 - 7,75	230 - 9,05	210 - 8,26	308 - 12,13		332	350 - 13,77
V	mm-inch	Ø70 - Ø2,75	Ø70 - Ø2,75	Ø70 - Ø2,75	Ø100 - Ø3,93	Ø100 - Ø3,93	Ø150 - Ø5,91		Ø201	2xØ150 - 2xØ5,9
I1	mm-inch	Ø110 - Ø4,33	Ø129 - Ø5,07	-	Ø150 - Ø5,9	Ø160 - Ø6,3	Ø225 - Ø8,86	Ø240 - Ø9,44	Ø295	Ø410 - Ø16,14
I2	mm-inch	Ø135 - Ø5,3	Ø150 - Ø5,9	Ø150 - Ø5,9	Ø180 - Ø7,1	Ø180 - Ø7,1	-		-	-
I3	mm-inch	Ø13 - Ø0,51	Ø13 - Ø0,51	Ø17 - Ø0,67	Ø17 - Ø0,67	Ø17 - Ø0,67	Ø17 - Ø0,67	Ø21 - Ø0,82	Ø21 - Ø0,82	Ø25 - Ø0,98
O1	mm-inch	Ø86 - Ø3,38	Ø107 - Ø4,21	Ø107 - Ø4,21	Ø123 - Ø4,84	Ø127 - Ø5	Ø195 - Ø7,68		Ø248 - Ø9,76	Ø329,5 - Ø12,97
O2	mm-inch	Ø92 - Ø3,62	Ø113 - Ø4,45	Ø113 - Ø4,45	Ø129 - Ø5,07	Ø133 - Ø5,23	Ø203 - Ø8		Ø259 - Ø10,2	Ø341,5 - Ø13,44

ATTENTION: The drawing below is not suitable for all models. Please log on to our website for specific drawings.

RB60 - RB80

RBC90



RBC120 - RBC160 - RB200

